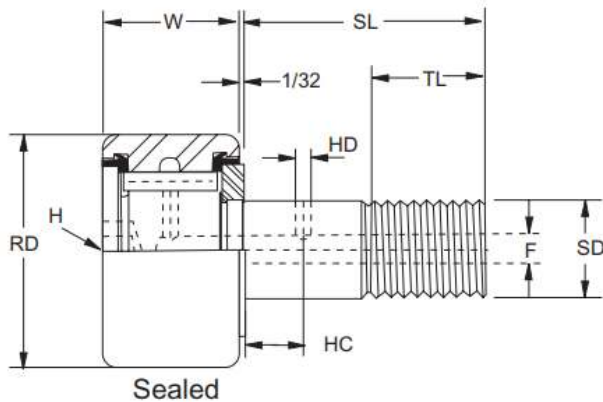


CF-SB CAM FOLLOWER



Cam followers with hex holes

SEALED BRG.NO.	ROLLER DIA(RD) +.000 -.001	ROLLER WIDTH(W) +.000 -.005	STUD DIA(SD) +.001 -.000	STUD L'GTH. (SL)	MIN. THR'D L'GHT. (TL)	FINE THR'DS.	OIL HOLE		LUB. FITTING SIZE(F)	MIN BOSS DIA.	HOUSING BORE DIA. +.0002 -.0003	***REMOM. CLAMPING TORQUE LBS.-IN.	MAX. STATIC CAPACITY LBS.	BASIC DYN. RATING. LBS.
							HOLE CENTER (HC)	HOLE DIA (HD)						
CF-1/2-SB	0.500	0.375	0.190	5/8	1/4	10-32	0	0	0	19/64	0.1903	15	790	680
CF-5/8-SB	0.625	0.438	0.250	3/4	5/16	1/4-28	0	0	0	23/64	0.2503	35	1215	955
CF-3/4-SB	0.750	0.500	0.375	7/8	3/8	3/8-24	1/4	3/32	3/16	1/2	0.3753	95	2065	1660
CF-7/8-SB	0.875	0.500	0.375	7/8	3/8	3/8-24	1/4	3/32	3/16	1/2	0.3753	95	2065	1660
CF-1-SB	1.000	0.625	0.438	1	1/2	7/16-20	1/4	3/32	3/16	41/64	0.4378	250	3060	2225
CF-1 1/8-SB	1.125	0.625	0.438	1	1/2	7/16-20	1/4	3/32	3/16	41/64	0.4378	250	3060	2225
CF-1 1/4-SB	1.250	0.750	0.500	1 1/4	5/8	1/2-20	5/16	3/32	3/16	49/64	0.5003	350	4250	3930
CF-1 3/8-SB	1.375	0.750	0.500	1 1/4	5/8	1/2-20	5/16	3/32	3/16	49/64	0.5003	350	4250	3930
CF-1 1/2-SB	1.500	0.875	0.625	1 1/2	3/4	5/8-18	3/8	3/32	3/16	57/64	0.6253	650	5640	4840
CF-1 5/8-SB	1.625	0.875	0.625	1 1/2	3/4	5/8-18	3/8	3/32	3/16	57/64	0.6253	650	5640	4840
CF-1 3/4-SB	1.750	1.000	0.750	1 3/4	7/8	3/4-16	7/16	3/32	3/16	1 3/64	0.7503	1250	7920	6385
CF-1 7/8-SB	1.875	1.000	0.750	1 3/4	7/8	3/4-16	7/16	3/32	3/16	1 3/64	0.7503	1250	7920	6385
CF-2-SB	2.000	1.250	0.875	2	1	7/8-14	1/2	1/8	3/16	1 13/64	0.8753	1500	10570	8090
CF-2 1/4-SB	2.250	1.250	0.875	2	1	7/8-14	1/2	1/8	3/16	1 13/64	0.8753	1500	10570	8090
CF-2 1/2-SB	2.500	1.500	1.000	2 1/4	1 1/8	1-14	9/16	1/8	3/16	1 5/16	1.0003	2250	16450	11720
CF-2 3/4-SB	2.750	1.500	1.000	2 1/4	1 1/8	1-14	9/16	1/8	3/16	1 5/16	1.0003	2250	16450	11720
CF-3-SB	3.000	1.750	1.250	2 1/2	1 1/4	1 1/4-12	5/8	1/8	1/4 (1)	1 3/4	1.2503	3450	24910	15720
CF-3 1/4-SB	3.250	1.750	1.250	2 1/2	1 1/4	1 1/4-12	5/8	1/8	1/4 (1)	1 3/4	1.2503	3450	24910	15720
CF-3 1/2-SB	3.500	2.000	1.375	2 3/4	1 3/8	1 3/8-12	11/16	1/8	1/4 (1)	1 59/64	1.3753	4200	31625	22800
CF-4-SB	4.000	2.250	1.500	3 1/2	1 1/2	1 1/2-12	3/4	1/8	1/4 (1)	2 9/32	1.5003	5000	44770	29985