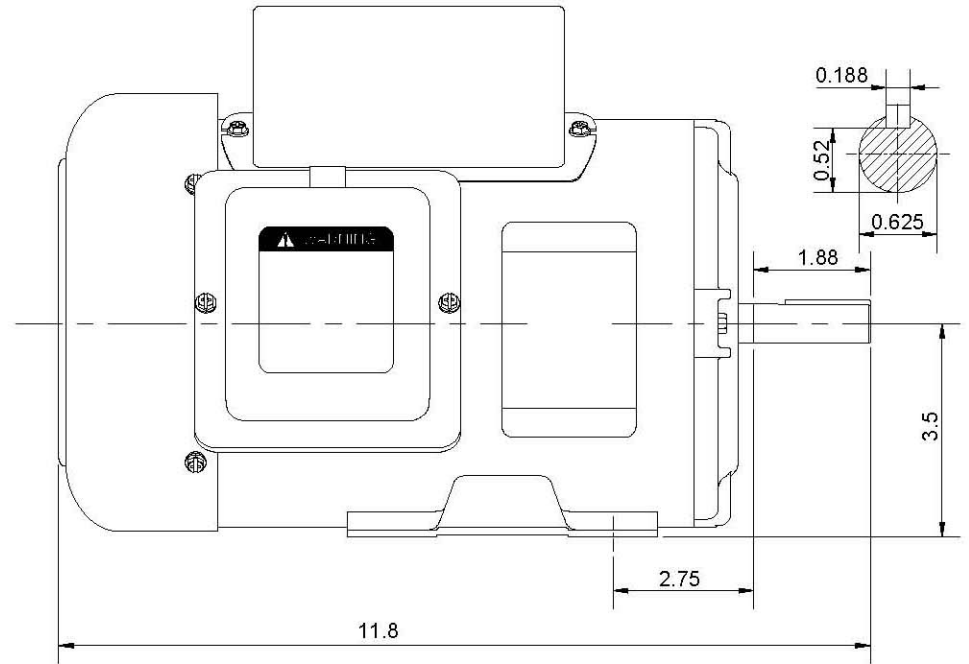
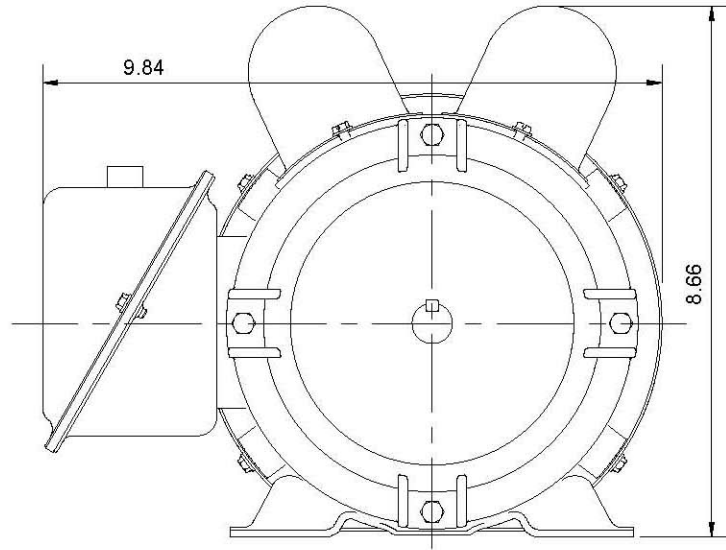


F563/4S4C



DRAWING
 JACK MA
 DRAWING DATE
 2018. 8. 27
 CHECK
 CHECK DATE

1			F563/4S4C	DATE	2018. 8. 27
2				SCALE	Free
3				UNIT	Inch
4			SpinCo	DRAWING NO.	ISU18F563/4S4C
5					