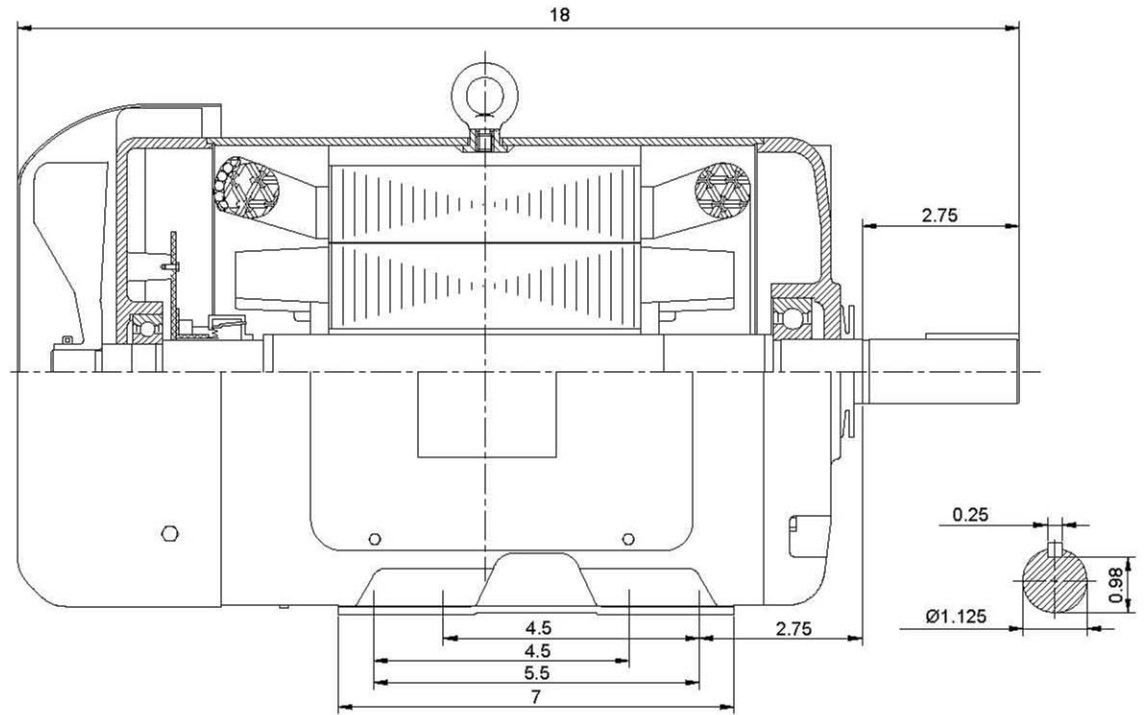
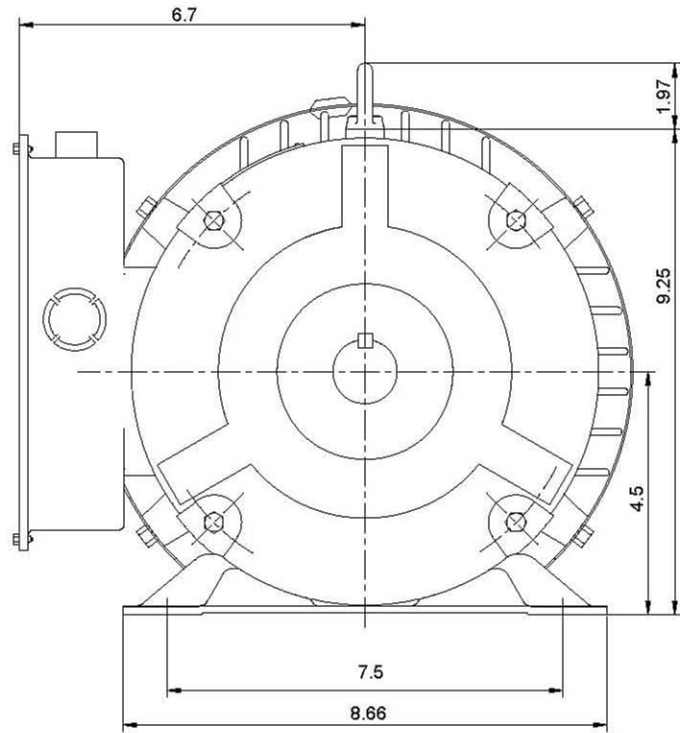


F184T5S4A



DRAWING
 JACK MA
 DRAWING DATE
 2018. 8. 27
 CHECK
 CHECK DATE

1			F184T5S4A	DATE	2018. 8. 27
2				SCALE	Free
3				UNIT	Inch
4			SpinCo	DRAWING NO.	ISU18F184T5S4A
5					